

SERLUX



HiPower
Efficient LED high bay luminaire



Saving you time, energy and money

Effortlessly upgrade with new HiPower.

Features :

- HiPower offers a simple, direct and cost-effective one-for-one replacement of traditional HID high bay luminaires.
- Efficient LEDs (up to 130 Lm/W) combined with precise lens technology can reduce waste light and in turn energy consumption by up to 50%.
- Classic circular design with innovative lens technology providing the right amount of light exactly where it is needed.
- Available with a wide voltage driver (CE certified from 90V-305V) for global applications.
- Low UGR (NB/20 ~WB/26) and accurate color (CRI > 80)
- Lifetime 50,000 hours with IP65 & IK08 protection
- Super slim design and suits for hook, bracket mounting
- Integrated with occupancy and movement based dimming sensor (Microwave version)

Application :

- General Industry Application: Factory, Warehouse, Distribution center
- Indoor sport hall
- Other high ceiling indoor applications



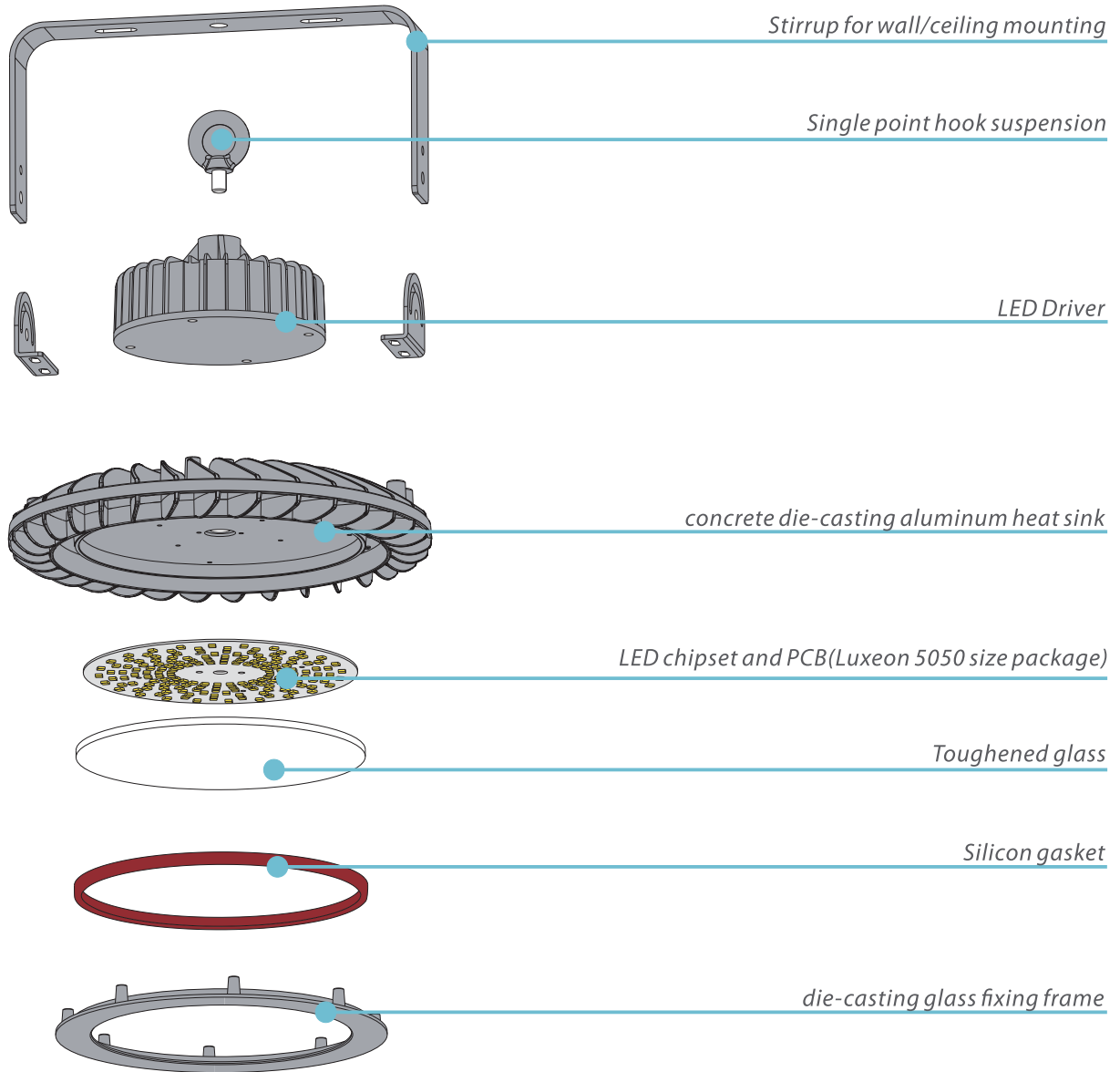
Model

Light source	Integral LED Module
Power	50W/100W/150W/200W (Other power upon request)
Luminaire flux	5500-15000Lm(Small version) 16500-22500Lm(Medium version) 22000-30000Lm(Large version)
Luminaire efficacy	110-150lm/W
CCT	4000K (3000K/5000K/5700K upon request)
CRI	> 80
Lifetime	100,000 hours at 25°C ambient temperature
Operating temperature range	-30 to 45°C
Driver	Meanwell (Inventronics optional) Other brand of driver(upon request)
Electrical	Class I Input voltage: 90-305VAC/50-60Hz,170-305VAC/50-60Hz
Dimming	1-10V PWM
Options	Surge protection device (up to 20KV) 0.5m External cable(Other length upon request) Motion detection
Materials	Housing: ADC12 die-cast aluminum Cover: PMMA lens /Tempered Glass Screws: 304 stainless screws
Color	Grey/ Black/ White
Tightness level	IP65
Impact Resistance	IK08
Standards & Certifications	All measurements in TUV sud Laboratory

Luminous Intensity Distribution Diagram (standard optic option 1)

Luminaire with 5mm tempered Glass, IK08. IP65 , 120 degree optics, 130lm/W or 150lm/W

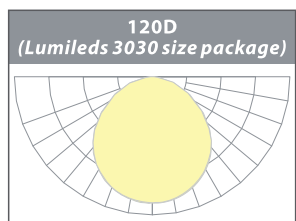
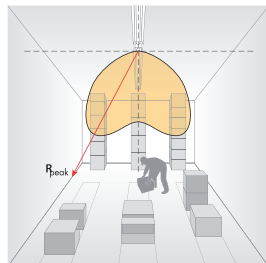
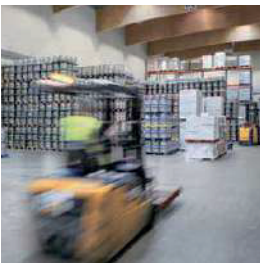
SERLUX



Lens & Light Distribution :

Wide optic

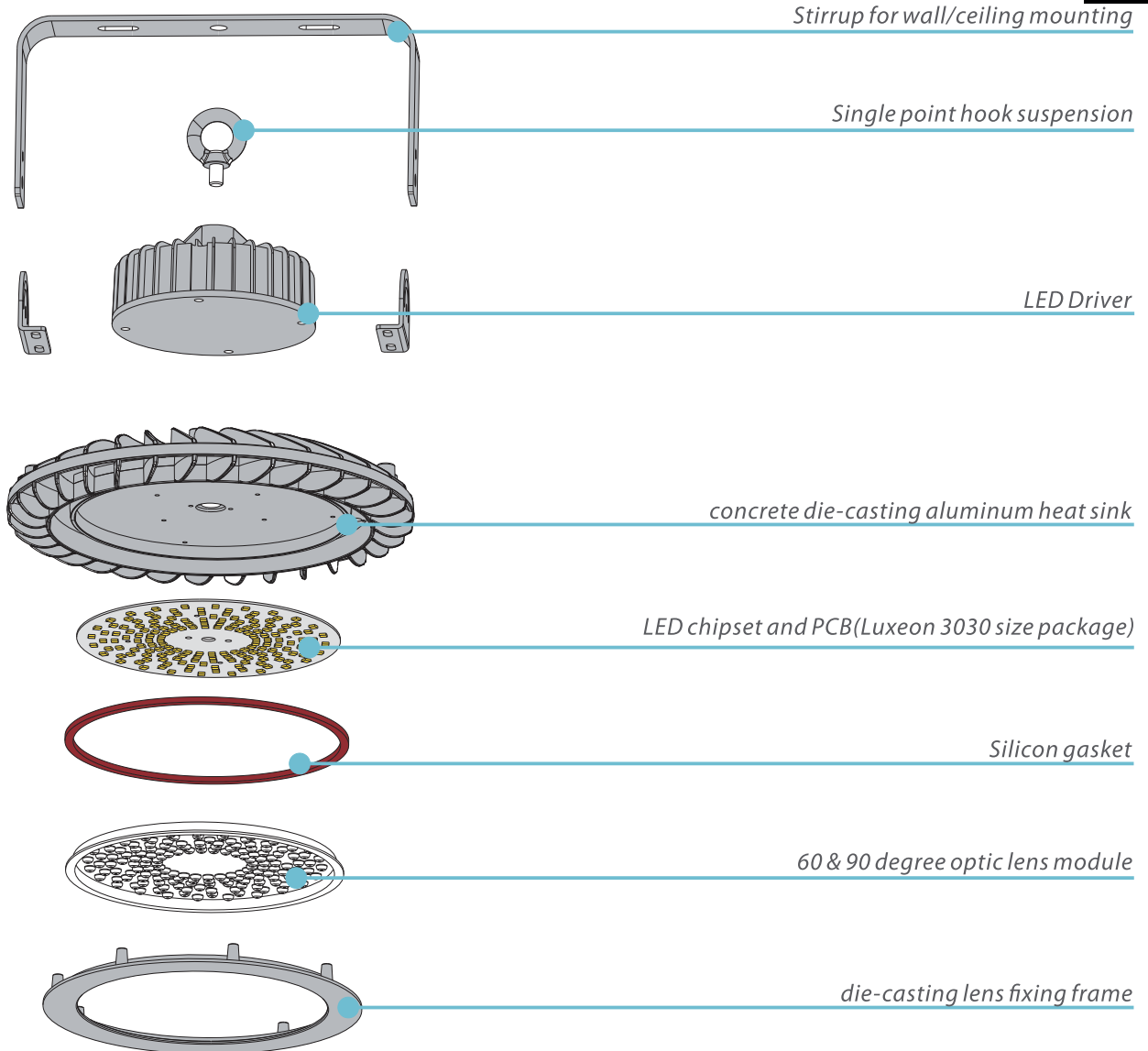
HiPower's wide beam is suited to larger open areas where light from more than one direction is important. It is also ideal for areas where movement and stacking of boxes occurs without fixed shelving, as well as areas where machinery needs lighting. This includes open retail and industrial production spaces, logistical centers and warehouses.



Luminous Intensity Distribution Diagram (standard optic option 2)

Luminaire with 5mm tempered Glass, 60 & 90 degree optic lens module, IK08. IP65, 130lm/W

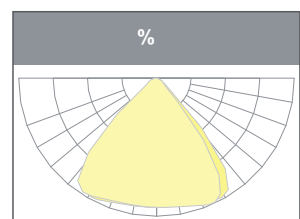
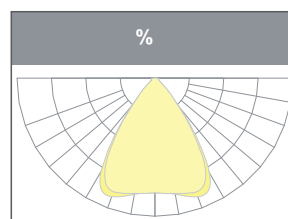
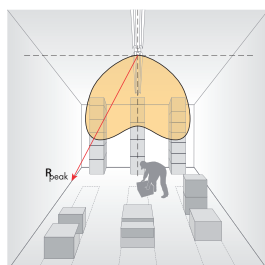
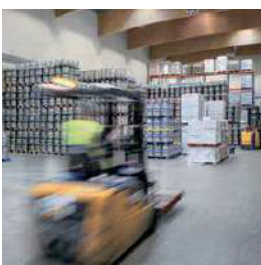
SERLUX



Lens & Light Distribution :

Wide optic

HiPower's wide beam is suited to larger open areas where light from more than one direction is important. It is also ideal for areas where movement and stacking of boxes occurs without fixed shelving, as well as areas where machinery needs lighting. This includes open retail and industrial production spaces, logistical centers and warehouses.





Retail outlets

With an optional prismatic refractor, HiPower offers a softer lit appearance and attractive aesthetic to make it ideal for refurbishing large retail stores. A choice of four light outputs meet a wide range of ceiling heights and ensure the right amount of light is always provided.

Logistics centres

Transportation areas and the areas where people are working both demand good quality lighting. Taking into consideration high ceiling heights and the need for energy savings across long operating hours, HiPower offers a choice of four light outputs, efficient LEDs and a choice of optics to place light where needed.

Exhibition Halls

Exhibition halls have high ceiling heights and demand the right amount of lighting on the floor. HiPower is fully equipped to meet these needs with a choice of lumen outputs and the provision of homogeneous lighting. HiPower optional prismatic refractor ensures the luminaire looks as good as the lighting it provides.

Warehouses

HiPower provides good horizontal illumination on surfaces such as forklift controls and bar code scanners while offering good coverage on vertical surfaces, particularly when searching through products amongst storage racks. With a choice of four light outputs to meet the lighting needs for a wide range of ceiling heights as well as easy installation and low maintenance, HiPower is ideal for warehouses of all sizes.

NEW!
Prismatic refractor:
- Softer lit appearance
- Attractive aesthetic
- Ideal for refurbishing large retail stores
- Reduce the glare value at the wide optic down to <19 UGR



Energy saving opportunities :

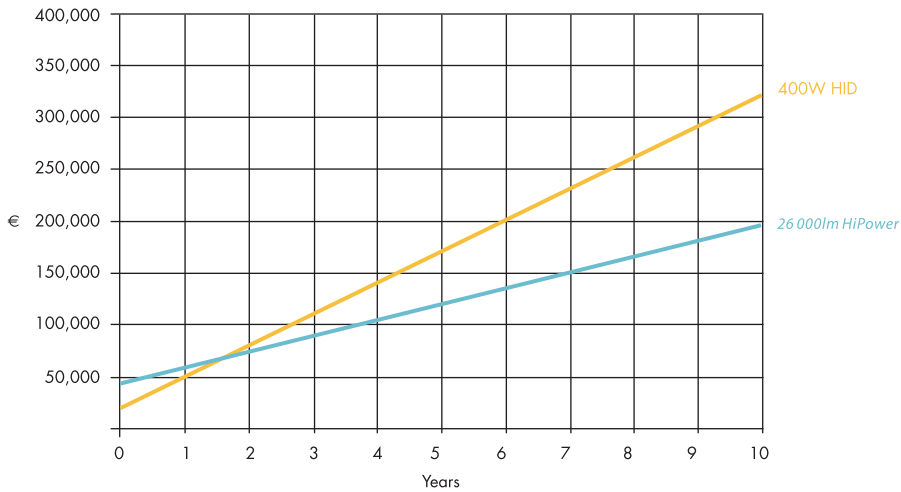
Reduce energy consumption by up to 50% with HiPower.

SERLUX

Replacing traditional HID high bay luminaires with HiPower can reduce energy consumption by up to 50% to reduce both energy bills and carbon emissions.

Reduce energy costs by 50% with HiPower.

Energy Efficiency – Course of overall costs of solution over lifetime:



Energy savings by lumen output.

15000lm (100W)

- 250W HID replacement:



>45%
energy saving



30 000lm (200W)

- 400W HID replacement:



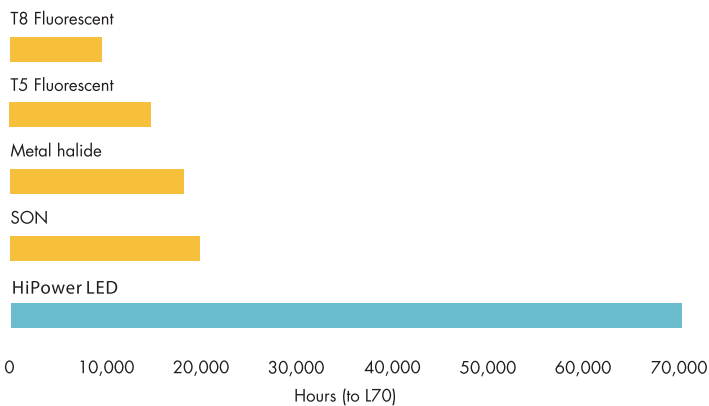
>55%
energy saving



Scheme details:

100m x 100m room, 9m mounting height, 50/30/20 reflectances designed to meet 200 lux. Old scheme used 110 400W HID luminaires, replaced by 110 26,000lm HiPower.

HiPower lifetime vs other technologies

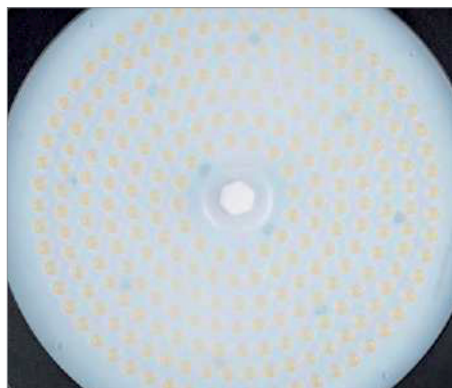
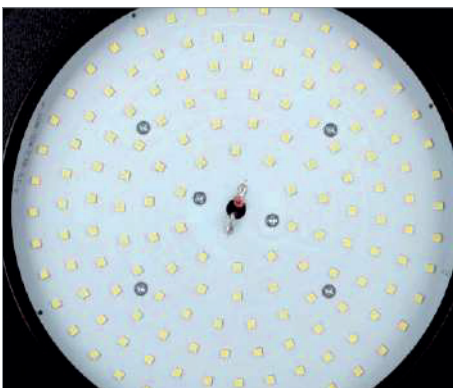


Virtually maintenance-free LED lifetime

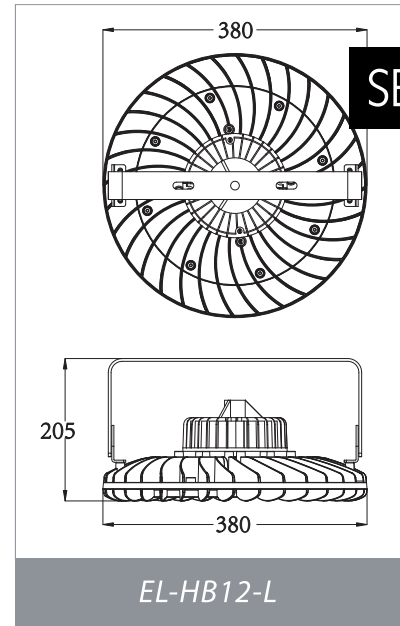
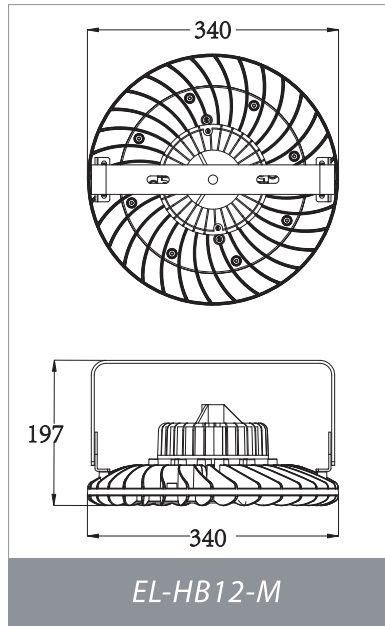
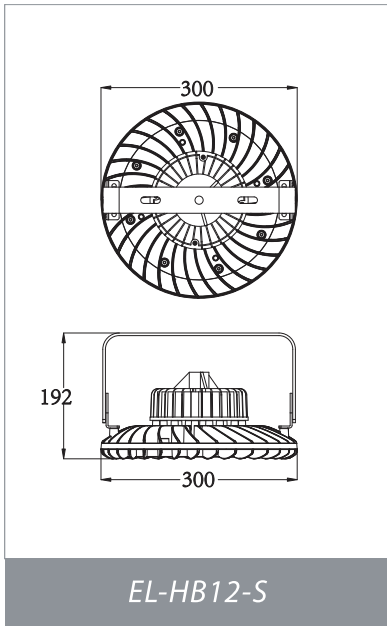
With a long 70 000-hour lifetime, HiPower eliminates the need for costly and disruptive lamp replacements. The cooling fin housing is carefully designed to allow air through the luminaire. This prevents the components from overheating and ensures optimum performance in harsh industrial environments from -30°C up to +45°C.

Pictures :

SERLUX



Product Size :



SERLUX

Installation :

- HiPower is easy to install to save time, energy and money.

Single point suspension

Enables simple point for point replacement of traditional HID high bay luminaires without the cost and inconvenience of additional installation points.

Pre-installed plug and play connectors

Allows rapid installation with no internal wiring.



Mounting grid gives a flexible range of mounting options



Stirrup for wall/ceiling mounting*



Single point hook suspension



Plug and play connector



Prismatic refractor



Microwave sensor & RC

Packaging :

SERLUX

Model	Carton Size(mm)	N.W.(Kg)	G.W.(Kg)
	350x350x200	5.1	7.5
	380x380x200	5.2	7.8
	420x420x200	5.9	8.4

Warranty :

- 5 years limited warranty is standard on luminaire and components.

SERLUX

CARRASCO | CASA CENTRAL

Av. Italia 5672
2600 2028
092 792 893

PUNTA CARRETAS

Francisco Ros 2781
2711 7113
092 868 340

LAGOMAR

Av. Giannattasio KM 21.8
2698 5300
099 306 969

PUNTA DEL ESTE

Av. Italia esq. Patagonia
4249 5328
099 764 876