

SERLUX



**VILLA LED**

Urban Light

01

# EL-GLOI



## Product Description :

- The Villa LED luminaire is generated from an aesthetic and classical outdoor lanterns.
- The Villa LED luminaire is specially designed for easy installation and combination with the E-light engine system. The E-light engine is a IP68 led module, fully sealed, equipped with Philips or CREE led.
- A standard E-light engine is up to 60W, and the maximum luminous efficiency is up to 130LM/W. The Villa LED luminaire fixture could either hold one-piece E-light engine, or two pieces.

## Features :

- Historical shape
- Energy -efficient luminaire
- Variety of mounting options: luminaire can be combined with different columns, brackets and multiple-arm brackets.

## Application :

- Main urban roads and streets
- Side and residential roads and streets
- City centers and historical areas
- Cycle and pedestrian paths
- Parking areas
- Squares, parks and playgrounds

## Villa luminaire Specifications :

SERLUX

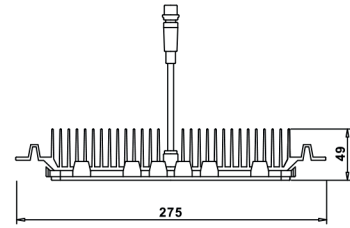
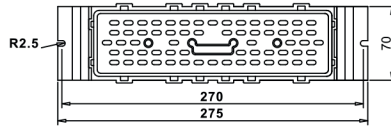
EL-GL01



|                             |   |
|-----------------------------|---|
| Model                       | EL-GL01   |
| Light source                | E-light engine  |
| Power                       | 15W-120W  |
| Luminaire flux              | 1850-13000Lm  |
| Luminaire efficacy          | 110-140lm/W   |
| CCT                         | 4000K<br>(3000K/5000K/5700K upon request)   |
| CRI                         | > 70<br>> 80(upon request)  |
| Lifetime                    | 100,000 hours<br>at 25°C ambient temperature  |
| Operating temperature range | -30 to 45°C   |
| Driver                      | Meanwell (Inventronics optional)<br>Other brand of driver(upon request)   |
| Electrical                  | Class I<br>Input voltage: 90-305VAC/50-60Hz, 170-305VAC/50-60Hz<br>10KV/20KV SPD  |
| Dimming                     | Dali<br>1-10V<br>PWM<br>AstroDIM for autonomous dimming with five independent levels<br>Smart control management system                         |
| Options                     | Photocell<br>Surge protection device (up to 20KV)<br>0.5m External cable(Other length upon request)<br>Smart control device<br>Motion detection |
| Materials                   | Housing: ADC12 die-cast aluminum<br>Cover: PC or Glass<br>Screws: 304 stainless screws  |
| Color                       | Grey/ Black/ white  |
| Tightness level             | IP65  |
| Impact Resistance           | IK08  |
| Standards & Certifications  | CE<br>CB<br>IEC<br>LM80<br>LM79<br>All measurements tested in TUV sud Laboratory  |

# E-light engine Specifications :

SERLUX



## Specification: E-light Engine with Lumileds Luxeon 3030 2D configuration

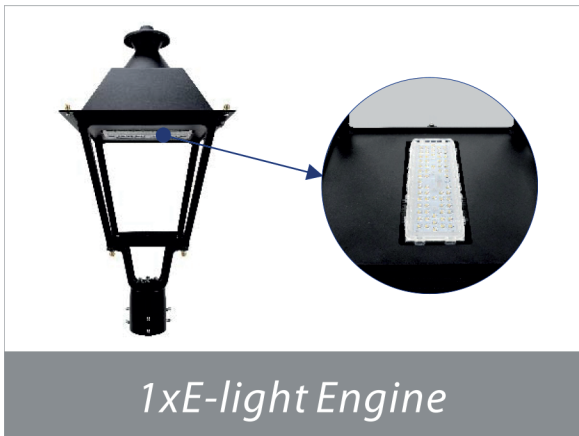
| No of LEDs      | 3000K/4000K/5000K/5700K                   | 63LEDs<br>1xE-light Engine | 126LEDs<br>1xE-light Engine |
|-----------------|---|----------------------------|-----------------------------|
| Current: 350mA  | Luminous Flux(lm)<br>Power consumption(W) | 2600<br>20                 | 5200<br>40                  |
| Current: 500mA  | Luminous Flux(lm)<br>Power consumption(W) | 3700<br>30                 | 7400<br>60                  |
| Current: 700mA  | Luminous Flux(lm)<br>Power consumption(W) | 4700<br>40                 | 9400<br>80                  |
| Current: 860mA  | Luminous Flux(lm)<br>Power consumption(W) | 5700<br>50                 | 11400<br>100                |
| Current: 1050mA | Luminous Flux(lm)<br>Power consumption(W) | 6500<br>60                 | 13000<br>120                |

(\*) The luminous flux mentioned is the fixture lumen output of the Villa LED luminaire when equipped with E-light engine, the result is based on the Tj@85°C/5700K  
 (\*) For detailed specification of the E-light engine, please contact Everlite sales representative

## Specification: E-light Engine with Lumileds Luxeon TX or CREE XP-G2

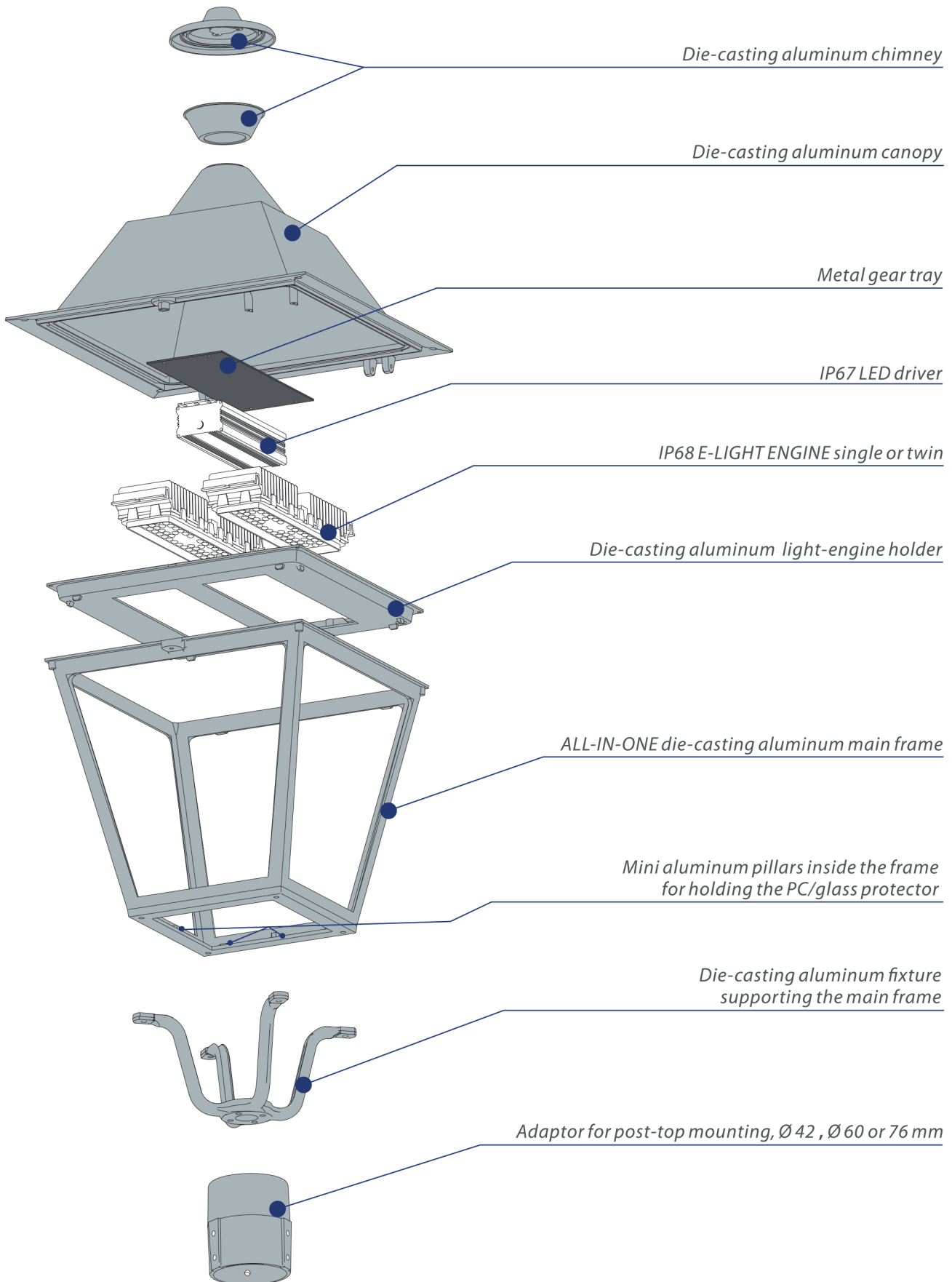
| No of LEDs      | 3000K/4000K/5000K/5700K                   | 14LEDs<br>1xE-light Engine | 18LEDs<br>1xE-light Engine | 36LEDs<br>2xE-light Engine |
|-----------------|---|----------------------------|----------------------------|----------------------------|
| Current: 350mA  | Luminous Flux(lm)<br>Power consumption(W) | 1850<br>15                 | 2450<br>20                 | 4900<br>40                 |
| Current: 500mA  | Luminous Flux(lm)<br>Power consumption(W) | 2400<br>20                 | 3450<br>30                 | 6900<br>60                 |
| Current: 700mA  | Luminous Flux(lm)<br>Power consumption(W) | 3300<br>30                 | 4400<br>40                 | 8800<br>80                 |
| Current: 860mA  | Luminous Flux(lm)<br>Power consumption(W) | 4100<br>40                 | 5350<br>50                 | 10700<br>100               |
| Current: 1050mA | Luminous Flux(lm)<br>Power consumption(W) |                            | 6000<br>60                 | 12000<br>120               |

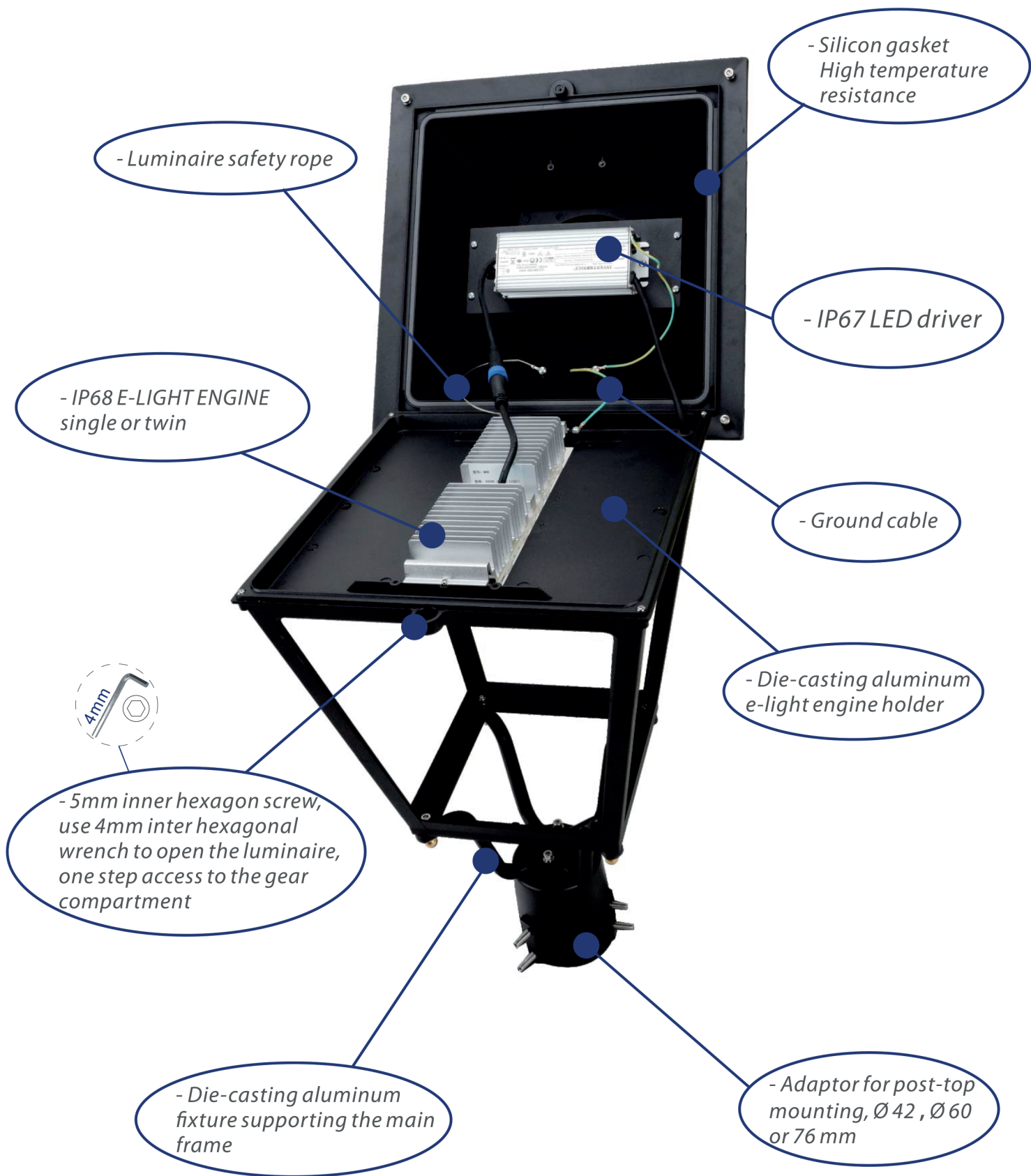
(\*) The luminous flux mentioned is the fixture lumen output of the Villa LED luminaire when equipped with E-light engine, the result is based on the Tj@85°C/5700K



Villa standard configuration with E-light Engine single or twin :

SERLUX

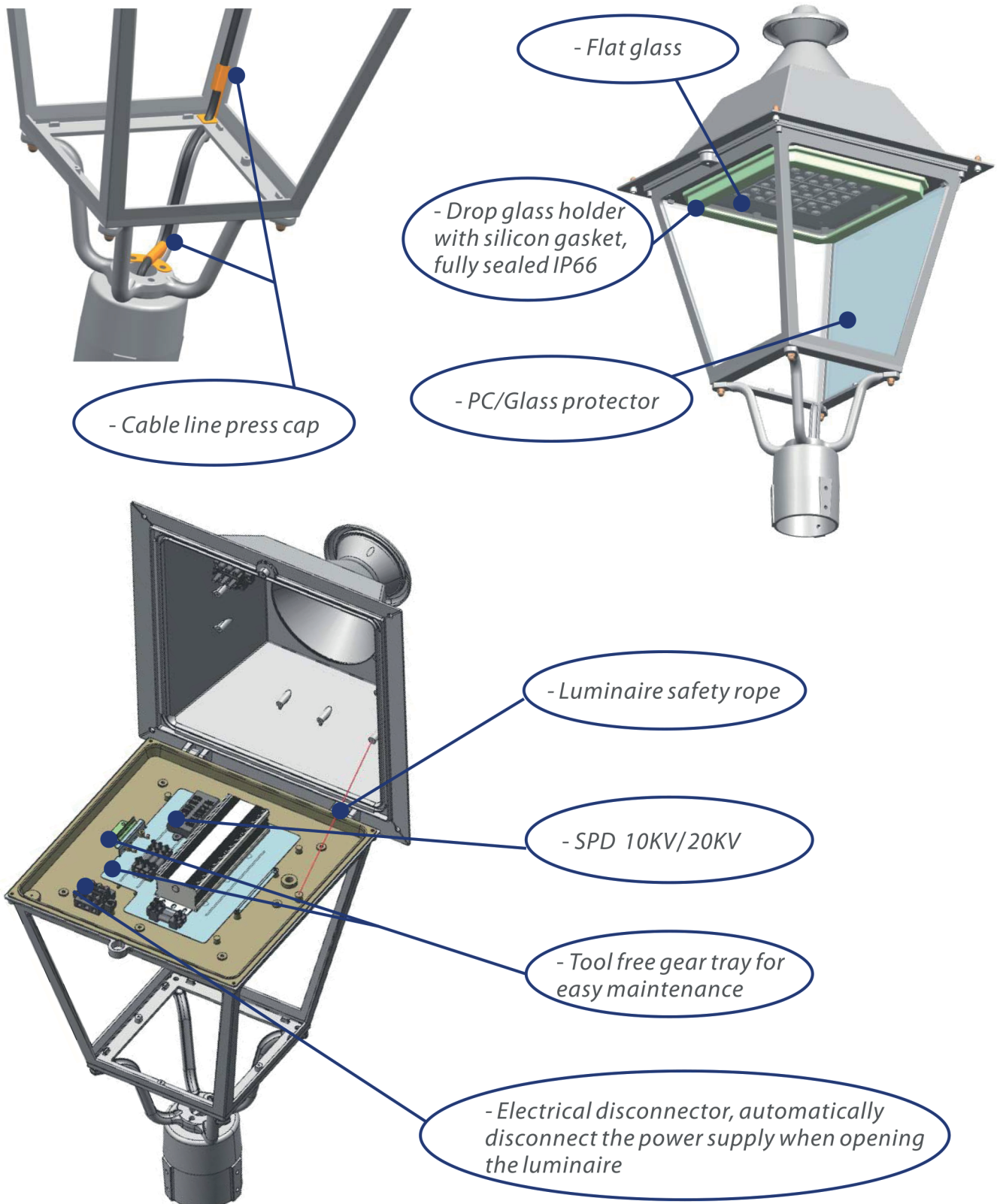




## Villa upgraded version ( with drop glass and sealed IP66 optical compartment, power switch disconnecter, tool free gear tray

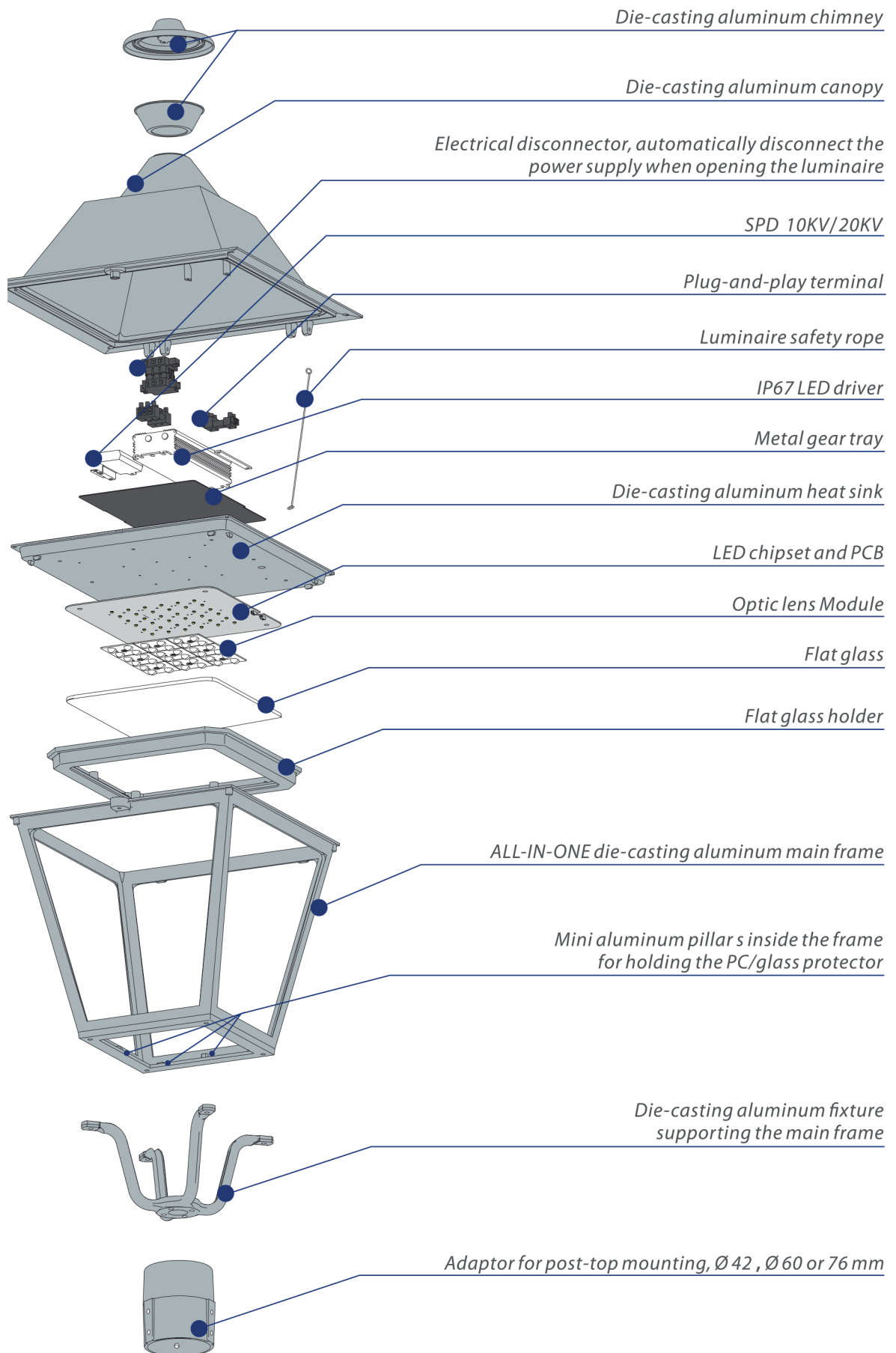
SERLUX

For many reasons, many customers need to use their own LED modules and optic systems, furthermore, the whole Villa fixture should reach IP66 tightness, and the optic compartment should include a toughened glass with IK08 or IK09 impact resistance level; what else, the fixture should include a power switch disconnecter and a tool free gear tray for easy maintenance of the electric components; now with our improved Villa fixture, all the extreme conditions for this heritage luminaire could be satisfied.



**Villa upgraded version ( with drop glass and sealed IP66 optical compartment, power switch disconnecter, tool free gear tray**

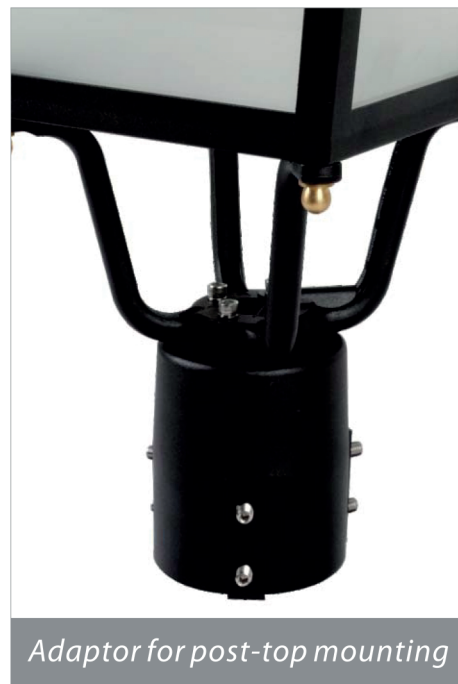
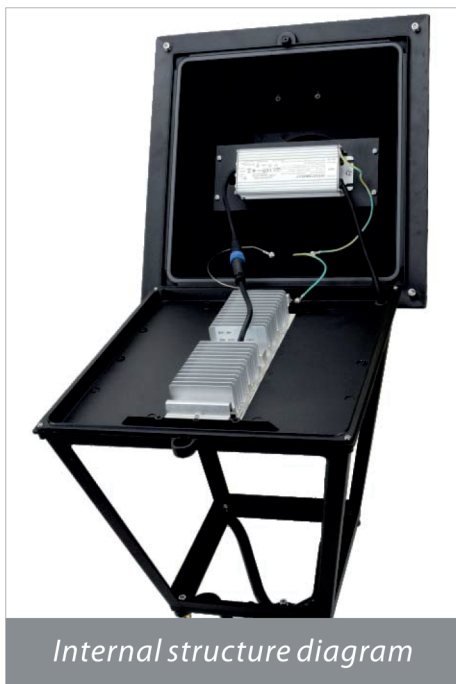
**SERLUX**





Pictures :

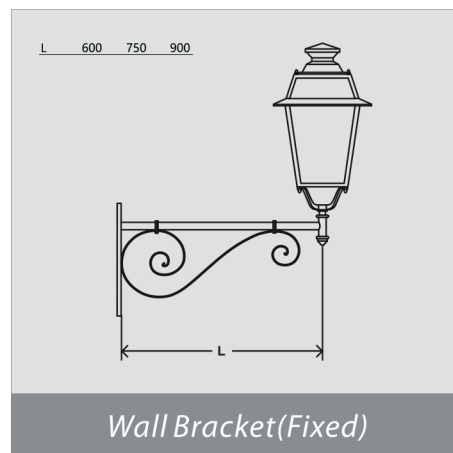
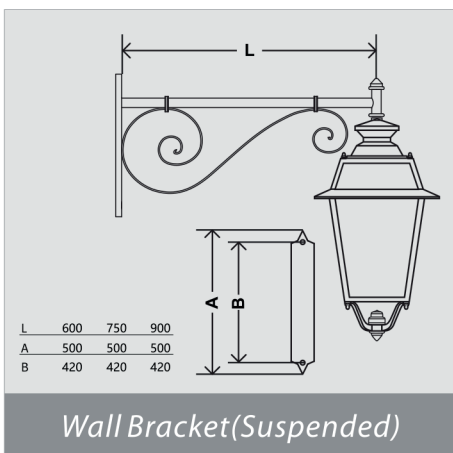
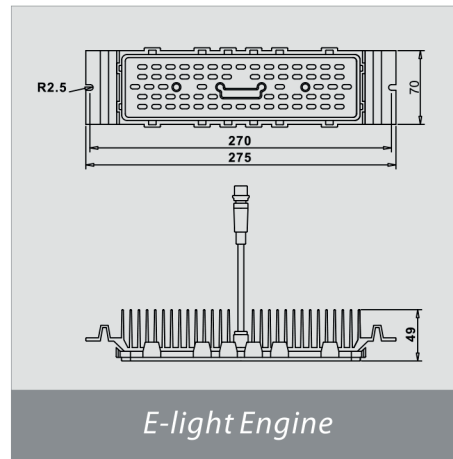
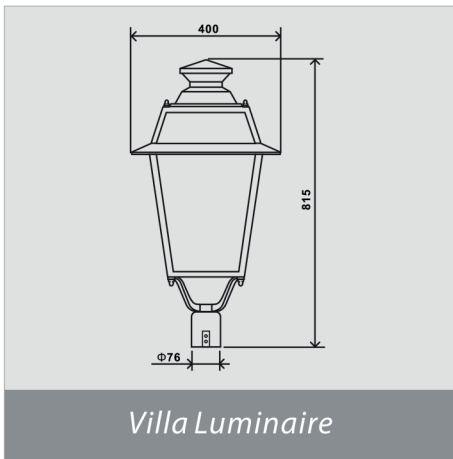
SERLUX



**Product Size :**

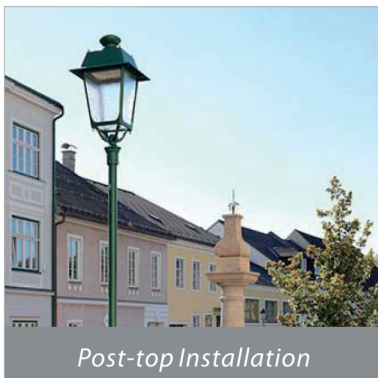
**SERLUX**

**EL-GL01**



- The Villa luminaire can either be post-top or wall bracket suspension and fixed mounted.
- 3 installation pipe diameters are available, 38-42mm, 50-60mm and 60-76mm.

**Instalation :**



## Packaging :

| Model | Carton Size(mm) | N.W.(Kg) | G.W.(Kg) |
|-------|-----------------|----------|----------|
| GL 01 | 440x440x650     | 7.0      | 8.0      |

SERLUX



## Warranty :

- 5 years limited warranty is standard on luminaire and components.

## Project Cases :



# SERLUX

## **CARRASCO | CASA CENTRAL**

Av. Italia 5672  
2600 2028  
092 792 893

## **PUNTA CARRETAS**

Francisco Ros 2781  
2711 7113  
092 868 340

## **LAGOMAR**

Av. Giannattasio KM 21.8  
2698 5300  
099 306 969

## **PUNTA DEL ESTE**

Av. Italia esq. Patagonia  
4249 5328  
099 764 876