

SERLUX

PARK LIGHT

Urban lighting Essence Series





Product Description :

- Essence series is an excellent street lighting solution for urban areas of important architectural value, a smart and versatile design of 4-in-1 installation, post-top mounting, bracket side entry mounting or suspended mounting.
- Equipped with high-quality electrical components, long lifetime is assured. Tool-free design and power switch-off device, enables easy, safe and minimal cost for maintenance. Efficient system could reduce energy consumption and to create a more attractive urban living environment and visual comforts for public and residential areas.
- With patented housing design and range of optics, *Essence* series luminaire is also a perfect choice for project oriented usage.

Features :

- Smart and versatile design of 4-in-1 installation
- Excellent thermal management
- Outstanding self-cleaning capability
- Patented optics for increased application efficiency
- Tool-free maintenance

Application :

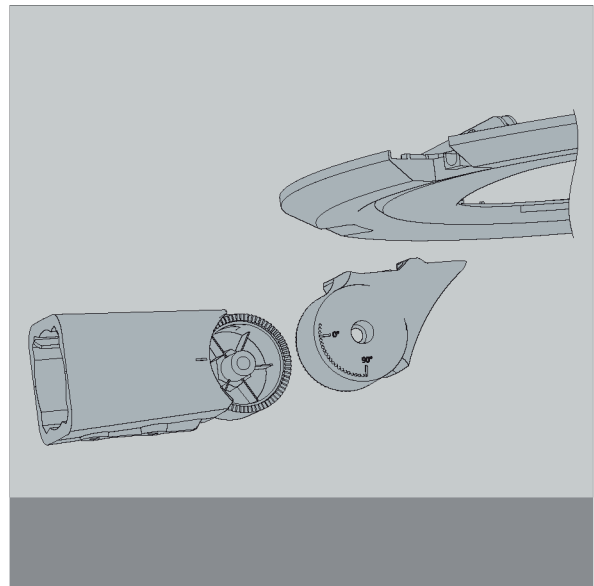
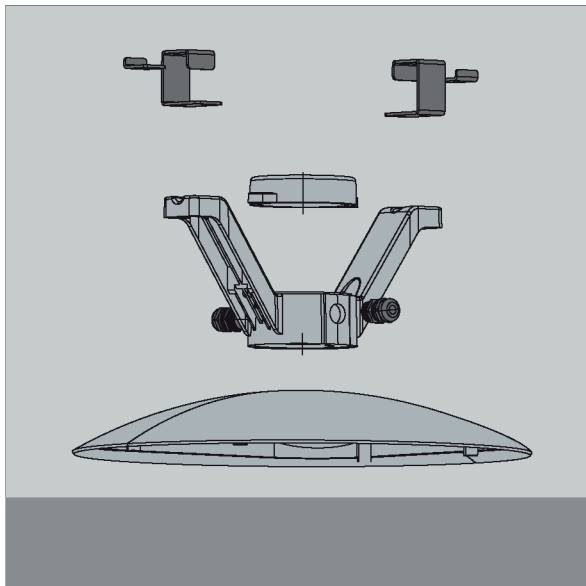
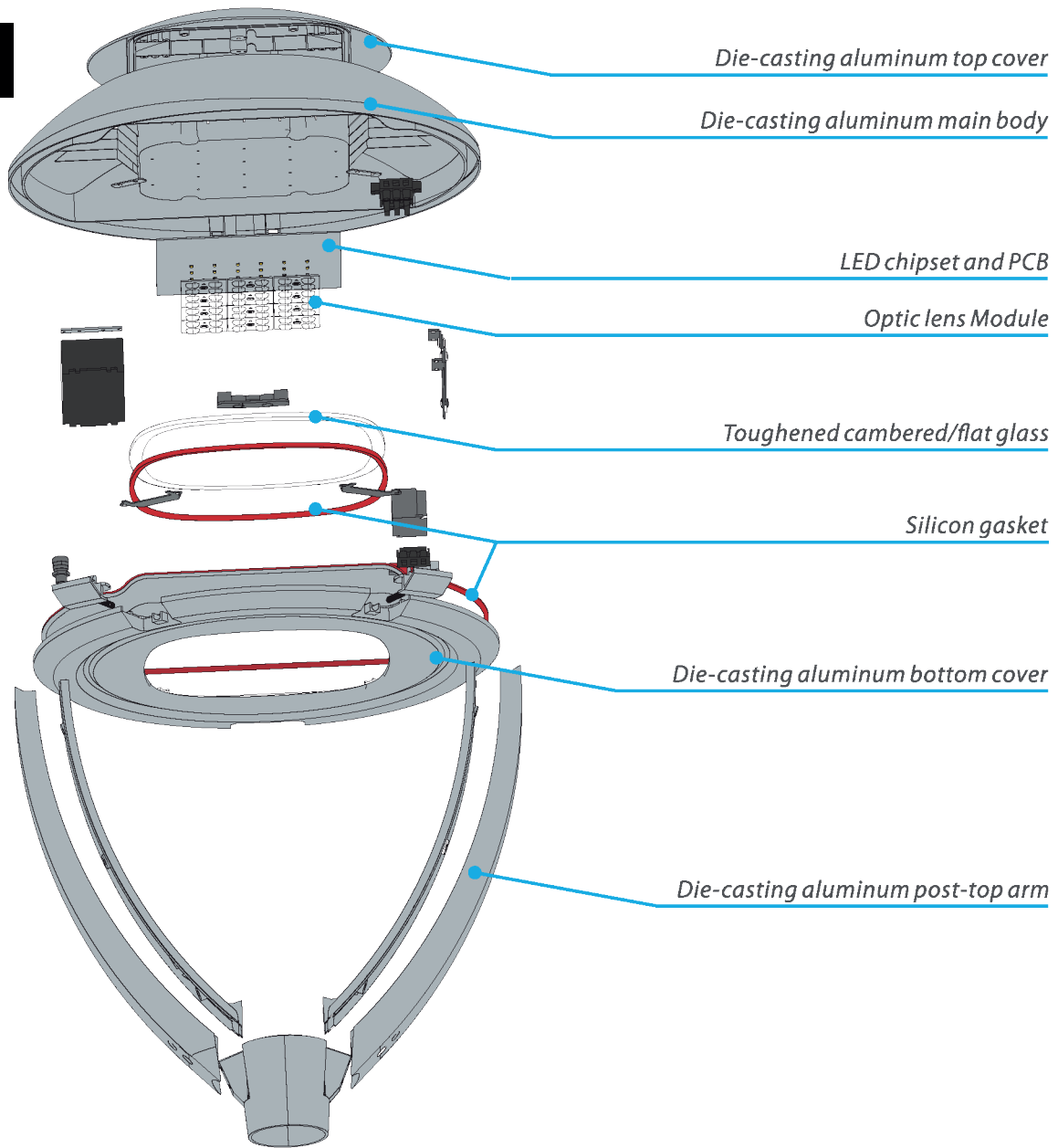
- Urban streets
- Public areas
- Parking lots
- Residential areas



Model	
Light source	Integral LED Module
Power	40W/60W/80W/100W/120W (Other power upon request)
Luminaire flux	2600-16000lm
Luminaire efficacy	110-140lm/W
CCT	4000K (3000K/5000K/5700K upon request)
CRI	> 70 > 80(upon request)
Lifetime	100,000 hours at 25°C ambient temperature
Operating temperature range	-30 to 45°C
Driver	Meanwell (Inventronics optional) Other brand of driver(upon request)
Electrical	Class I or Class II Input voltage: 90-305VAC/50-60Hz, 170-305VAC/50-60Hz 10KV/20KV SPD Power automatically switch off when opening
Dimming	Dali 1-10V PWM AstroDIM for autonomous dimming with five independent levels Smart control management system
Options	Photocell Surge protection device (up to 20KV) 0.5m External cable(Other length upon request) Smart control device Motion detection
Materials	Housing: ADC12 die-cast aluminum Cover:Toughened cambered/flat glass Screws: 304 stainless screws
Color	Grey/ Black/ white
Tightness level	IP66
Impact Resistance	IK08
Installation	Recommended mounting height: 3-12M
Standards & Certifications	CE ENEC CB GS IEC ROHS LM80 LM79 TM21 All measurements in TUV sud Laboratory

Luminous structure Diagram (standard options)

SERLUX

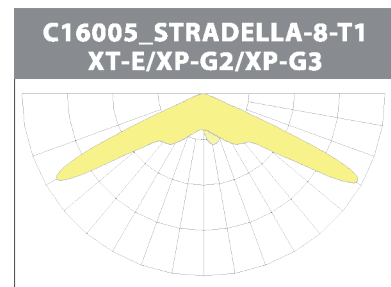
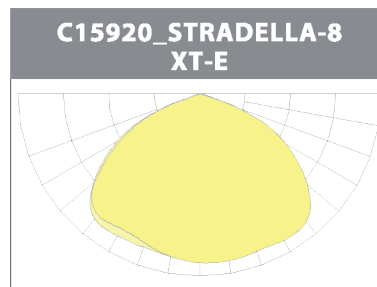
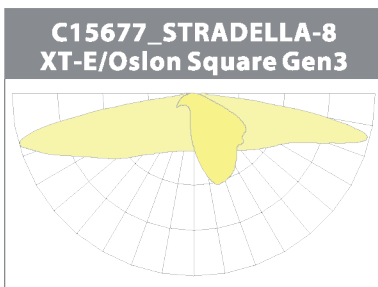
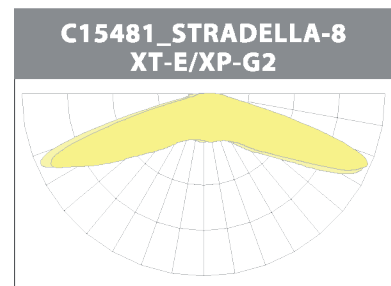
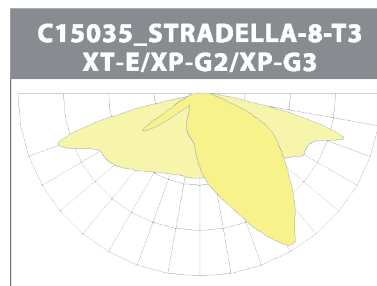
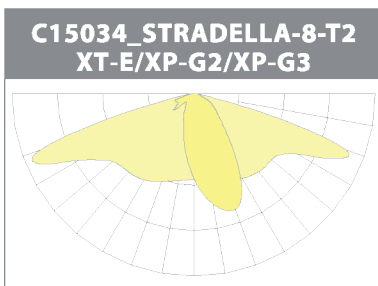
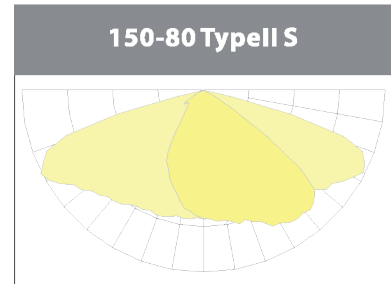
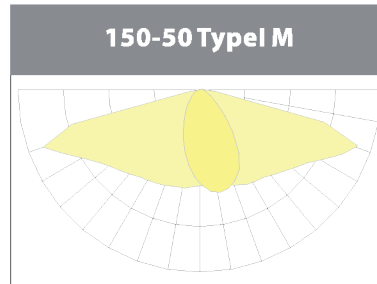
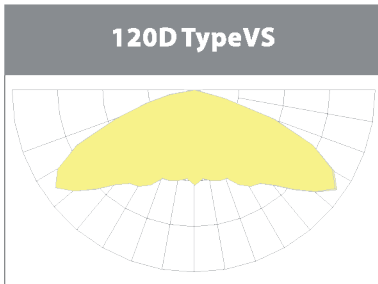


Luminous Intensity Distribution Diagram

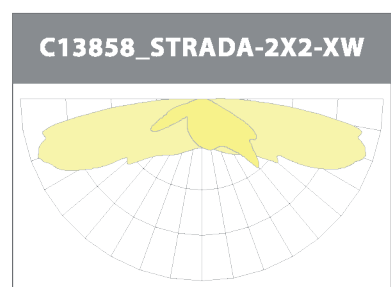
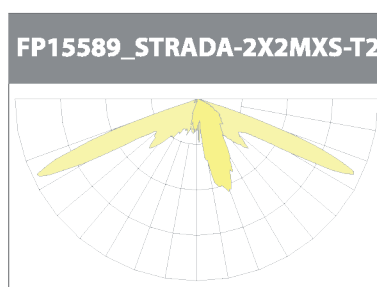
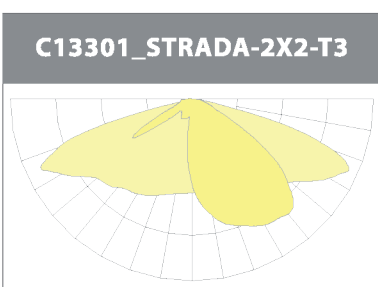
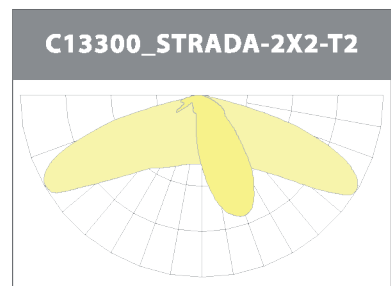
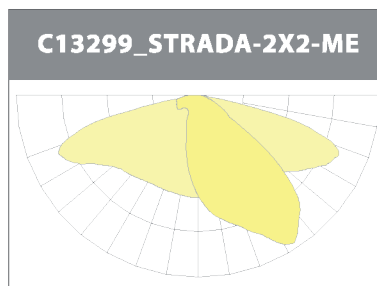
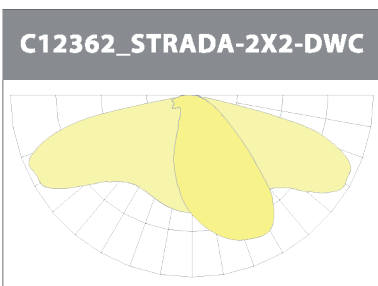
The Essence series LED street light luminaire come with a robust optic compartment design, enable many different options of LED chipset and optic lens modules, which will help customers to always cope with the latest development of efficiency of led by using different type of led package, from 3030, 3535 to 5050.

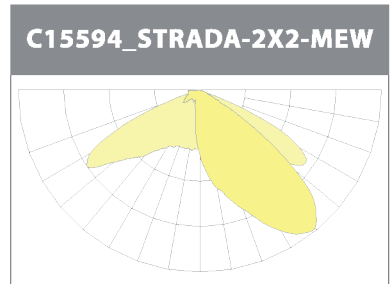
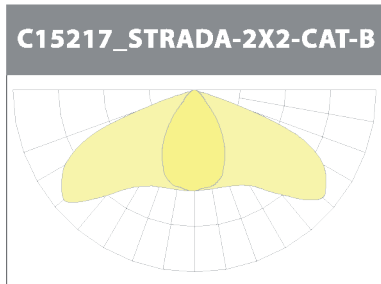
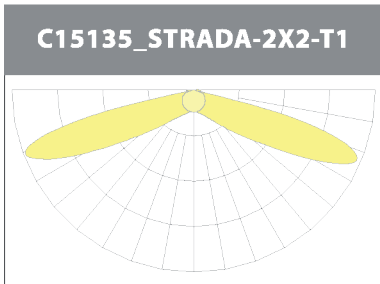
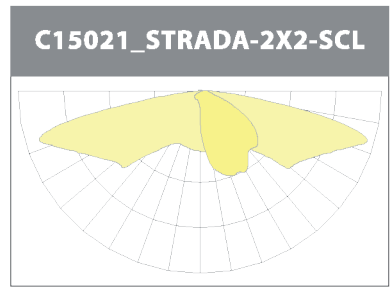
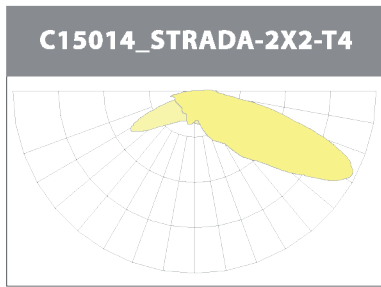
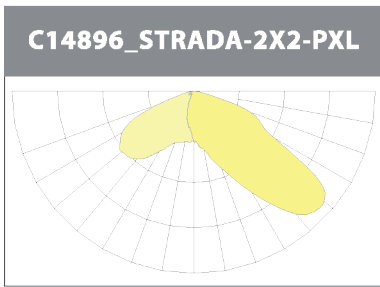
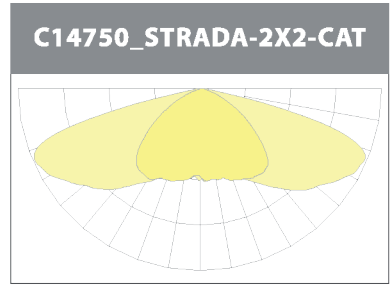
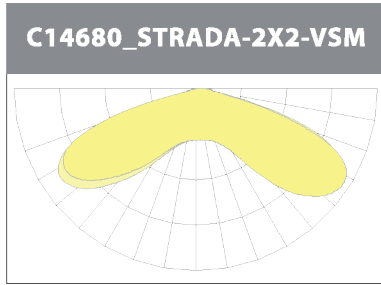
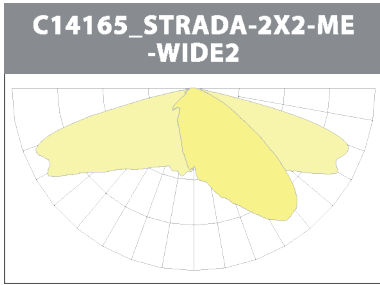
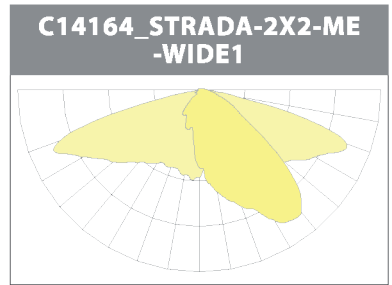
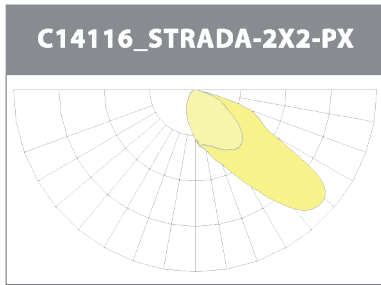
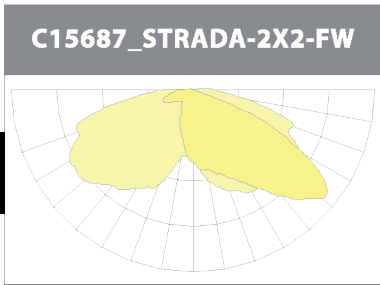
SERLUX

Option 1: with 3535 LED package, basically the Essence could offer 6 standard light distribution curves as following

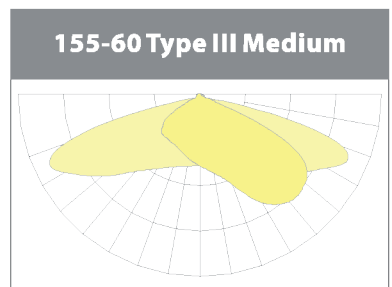
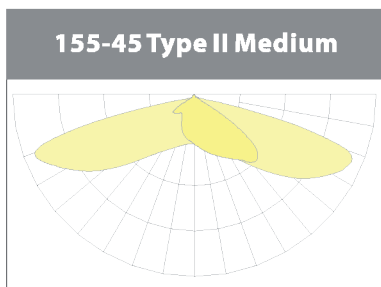
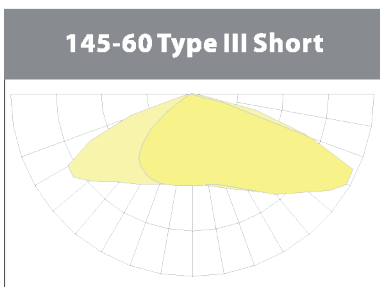
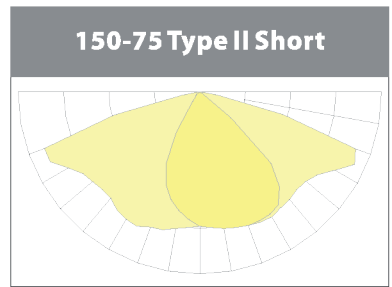
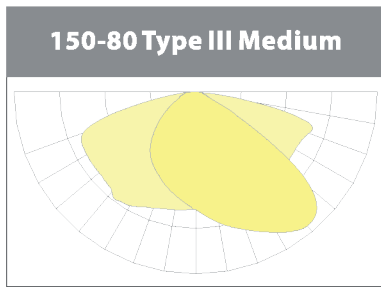
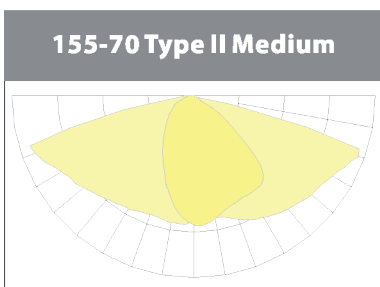


Option 2: with 5050 LED package, basically the Essence could offer 18 standard light distribution curves as following





Option 3: with 3030 LED package, basically the Essence could offer 6 standard light distribution curves as following



-High pressure die-casting aluminum housing with invisible built-in heat sink curves, supply sufficient heat dissipation for led module up to 120W

- Galvanised steel supporting bracket, for easy maintenance

- Toughened cambered/flat glass with 5mm thickness, IK09 Impact Resistance

SPD 10KV/20KV

- Tool free opening the luminaire, one step access to the gear and optic compartment

- Silicon gasket High temperature resistance

- Electrical disconnecter, automatically disconnect the power supply when opening the luminaire



Press-and-push tool free opening



Use of screwdriver is prohibited



Use of screwdriver is prohibited

Pictures :

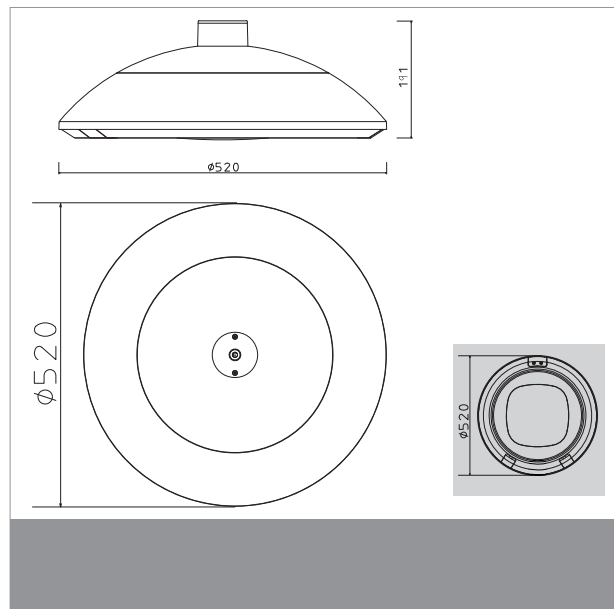
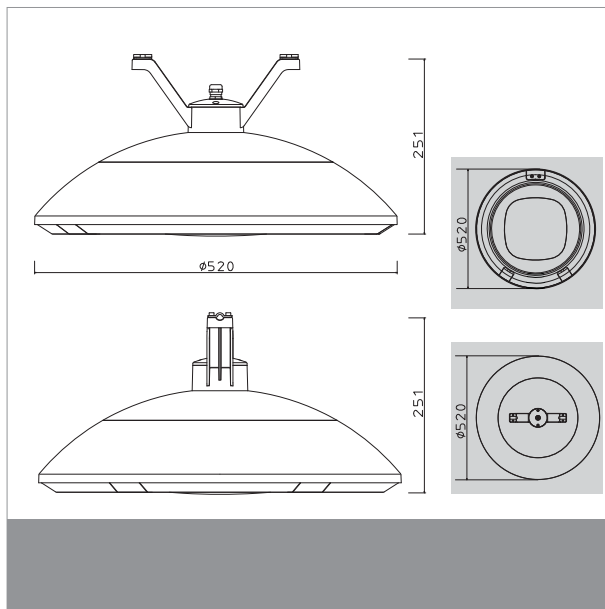
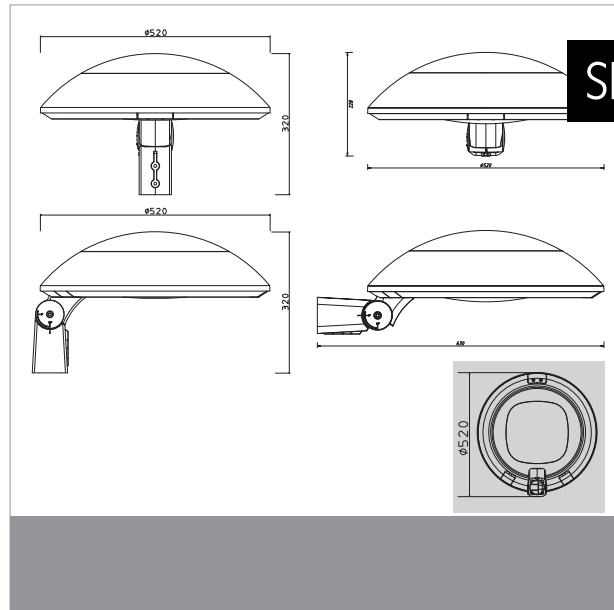
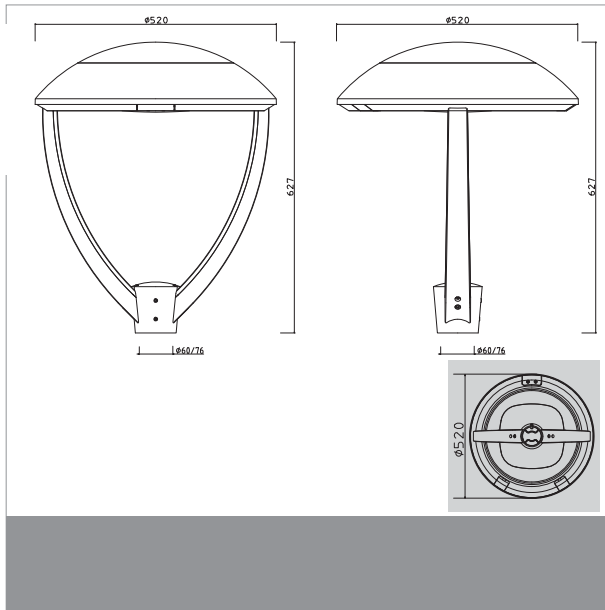
SERLUX



Photocell (optional)



Product Size :



Installation :

- The *Essence* series is a 4-in-1 mounting system urban lighting luminaire, post-top mounting arms, vertical and side entry brackets, suspension mounting kits are optional.
- 2 installation pipe diameters are available, 50-60mm and 60-76mm.
- Please look at the following information to finish installation.

Installation Way:



Post-top mounting

Bracket-vertical mounting

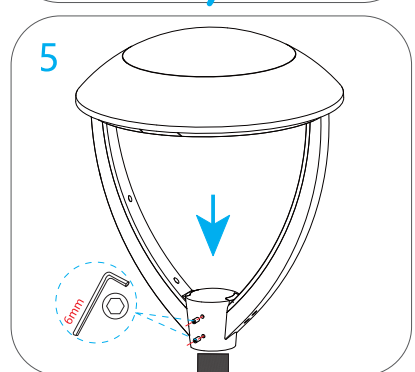
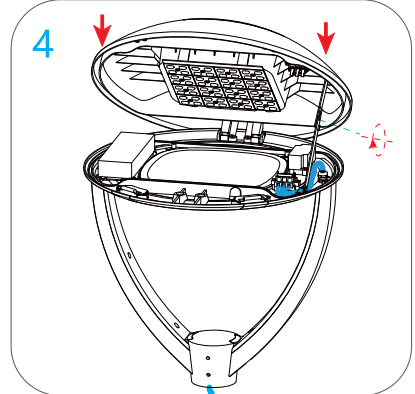
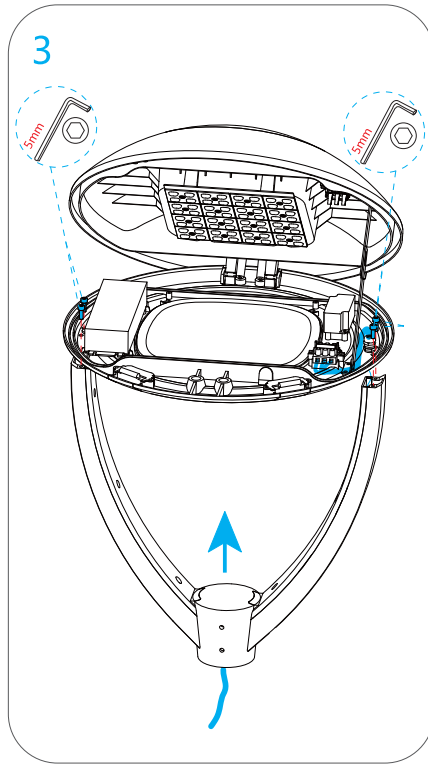
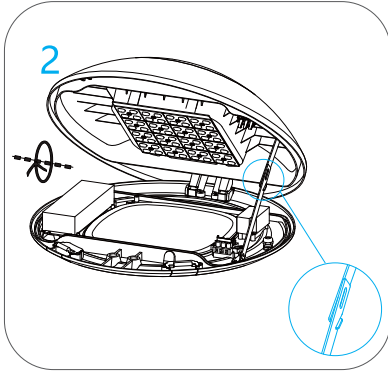
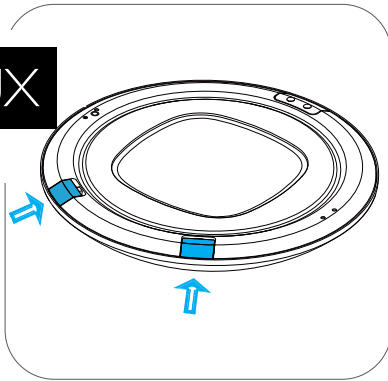
Bracket-side entry mounting

Suspension-A

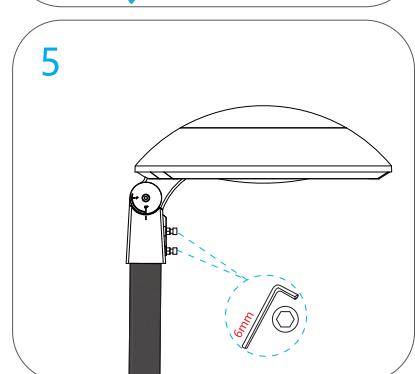
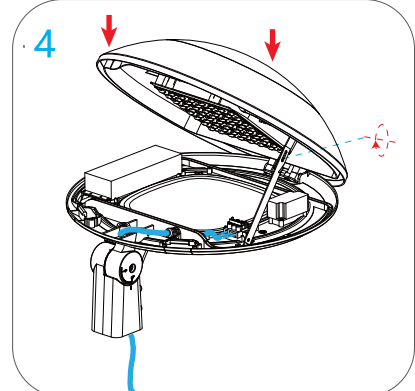
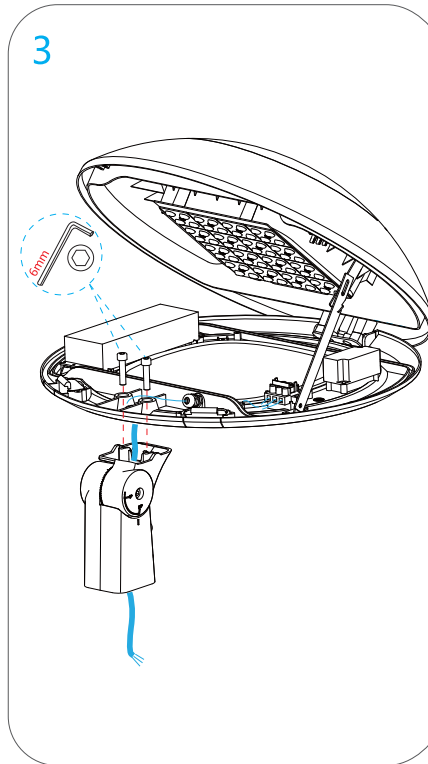
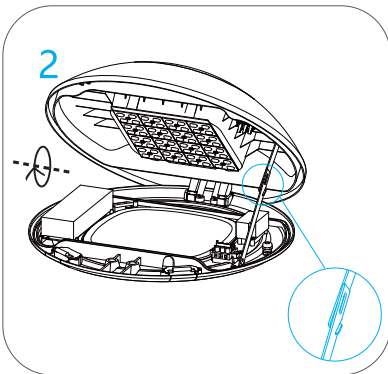
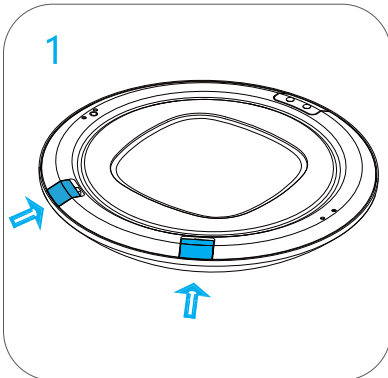
Suspension-B

LED Garden light

SERLUX



LED Street light



Packaging :

	Carton Size(mm)	N.W.(Kg)	G.W.(Kg)
	580x580x290	12.0	13.0
	580x580x290	11.0	12.0
	580x580x290	11.0	12.0
	580x580x290	11.0	12.0

Warranty :

- 5 years limited warranty is standard on luminaire and components.

Project Cases :



SERLUX

CARRASCO | CASA CENTRAL

Av. Italia 5672
2600 2028
092 792 893

PUNTA CARRETAS

Francisco Ros 2781
2711 7113
092 868 340

LAGOMAR

Av. Giannattasio KM 21.8
2698 5300
099 306 969

PUNTA DEL ESTE

Av. Italia esq. Patagonia
4249 5328
099 764 876